



MILLS LIMITED

13 October, 2020

The Registrar

National Electric Power Regulatory Authority (NEPRA)

NEPRA Tower, G-5/I

Ataturk Avenue Islamabad

**SUBJECT: Modification License no. IGSP/44/2014 under regulation 10(2) of NEPRA licensing (Application & Procedure) Regulation. 1999**

Dear Sir,

**Back Ground**

1. RYK Mills Limited (the "Licensee") has set up a bagasse/biomass-based co-generation power plant at Rukanabad, Tehsil Liaqatpur, District Rahim Yar Khan in the province of Punjab, Pakistan.
2. The Licensee was granted generation license on March 24, 2015 numbered IGSP/44/2104, 30 MW (Gross) for a term of thirty (30) years (the "Generation licensee").
3. The Licensee was allowed to supply electricity to the National Grid after meeting its captive energy requirements.

**Propose Modification**

4. The Licensee intends to modify the Generation License, enabling it to sell electric power to following additional Consumer:

No.	Name of Proposed Consumers	Proposed Electricity to be sold
1	Alliance Sugar Mills Limited "ASML"	13 MW

**Statement of the reasons**

5. ASML is a wholly owned subsidiary of the Licensee and is going to setup a steel plant adjacent to the Licensee. Proposed amendment in Generation License will *inter-alia* ensure the continuous, safe and reliable supply of Electric Power to the proposed consumer keeping in view the financial and technical viability of the Licensee.

**Statement of Impact on Tariff etc.**

6. The Licensee had opted the Up-Front Tariff for Bagasse Based Co-Generation Power Projects. Therefore, proposed amendment will have no impact on tariff. Furthermore, the quality of service and the performance by the Licensee of its obligations under the Generation License shall not be effected with the proposed amendment.

HEAD OFFICE

75/4-D, Sarfraz Rafiqi Road, Lahore Cantt, Pakistan. Ph: +92-42-36601381-4  
Fax: +92-42-36601385, Email: info@rykmills.com.pk

OPERATIONS:

Rukanabad (Janpur), Tehsil Liaqatpur, District Rahim Yar Khan, Punjab, Pakistan.  
Ph: +92-68-5044229, 5000606 Fax: +92-68-5570739





**MILLS LIMITED**

**Modification Fee**

7. Pay Order No. 4037030 dated October 13, 2020 of PKR 373,888/- (Pak Rupees Three Hundred Seventy Three Thousand Eight Hundred and Eighty Eight Only) drawn in favor of NEPRA is enclosed as modification fee.

**Distribution Facilities**

8. The distribution facilities to be used for delivery of electric power to the proposed consumer are/will be located on private property (without involving any public property) owned, Operated, managed and controlled by the Licensee proposed consumer. Therefore, the supply of electric power to proposed consumer by the Licensee will not constitute a distribution activity under the relevant law.
9. Details of distribution facilities alongwith single line diagram are enclosed.

You are kindly requested to modify the Generation License as requested above.

Thanking You  
For RYK MILLS LIMITED

**Munir Hussain**  
**Chief Financial Officer**

Encl: As above

**HEAD OFFICE**

75/4-D, Sarfraz Rafiqi Road, Lahore Cantt, Pakistan. Ph: +92-42-36601381-4  
Fax: +92-42-36601385, Email: info@rykmills.com.pk

**OPERATIONS:**

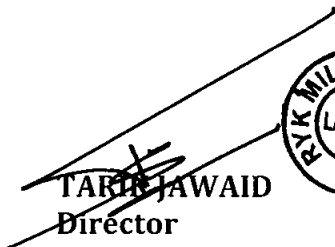
Rukanabad (Janpur), Tehsil Liaquatpur, District Rahimyar Khan-Pakistan.  
Ph: +92-68-5044229, 5000606 Fax: +92-68-5570739


**CERTIFIED TRUE COPY OF THE RESOLUTION PASSED IN THE MEETING OF BOARD OF DIRECTORS HELD ON 06<sup>th</sup> OCTOBER, 2020 AT 11:30 A.M. AT ITS REGISTERED OFFICE 75/4-D, SARFRAZ RIFIQUI ROAD, LAHORE CANTT, LAHORE.**

**“RESOLVED THAT”** the company intends to modify the Generation License Number IGSP/44/2014 in order to sell electric power to Alliance Sugar Mills Limited “ASML” from its existing 30MW power project.

**“FURTHER RESOLVED THAT”** Mr. Munir Hussain (Chief Financial Officer) and Mr. Muhammad Mudassir Iqbal (Head-Energy Business) of the company, be and are hereby authorized and empowered on behalf of the company to deal with the National Electric Power Regulatory Authority (“NEPRA”) and Multan Electric Power Company (“MEPCO”) in connection with modification of license and all related matters to sign and execute all the documents, and do and take all necessary acts, which may be required by NEPRA and MEPCO from time to time and to do all other incidental and ancillary acts, things and deeds.

**“FURTHER RESOLVED THAT”** A copy of this resolution be provided to the NEPRA and MEPCO with the seal/stamp duly affixed thereon for their information and record.

  
**TARIQ JAWAID**  
Director



  
**MUNIR HUSSAIN**  
Company Secretary



HEAD OFFICE



75/4-D, Sarfraz Rafiqui Road, Lahore Cantt, Pakistan. Ph: +92-42-36601381-4  
Fax: +92-42-36601385, Email: info@rykmills.com.pk

OPERATIONS:

Rukanabad (Janpur), Tehsil Liaquatpur, District Rahimyar Khan-Pakistan.  
Ph: +92-68-5044229, 5000606 Fax: +92-68-5570739

**Information Regarding**  
**Distribution Network for Supply of Power to Bulk Power Consumer**  
**[in the Name of ASML of the Licensee (i.e. RYK Mills Limited "RYKML")]**

(i)	No. of Feeders	01 (One)
(ii)	Length of Each Feeder (Meter)	750 Meter
(iii)	Length of Each Feeder to each Consumer	750 Meter
(iv)	In respect of all the Feeders, describe the property (streets, farms, Agri land, etc.) through, under or over which they pass right up to the premises of customer, whether they cross-over.	The 11 KV cable supplying power to ASML is located on private property owned by RYKML and ASML without crossing of any public property etc.
(v)	Whether owned by RYKML, Consumer or MEPCO- (deal with each Feeder Separately)	
	- If owned by MEPCO, please furnish particulars of contractual arrangements	N/A
	- Operation and maintenance responsibility for each feeder	The Operation and Maintenance is the responsibility of ASML.
(vi)	Whether connection with network of MEPCO exists (whether active or not)- If yes, provide details of connection arrangements (both technical and contractual)	No
(vii)	Any other network information deemed relevant for disclosure to or consideration by NEPRA.	N/A

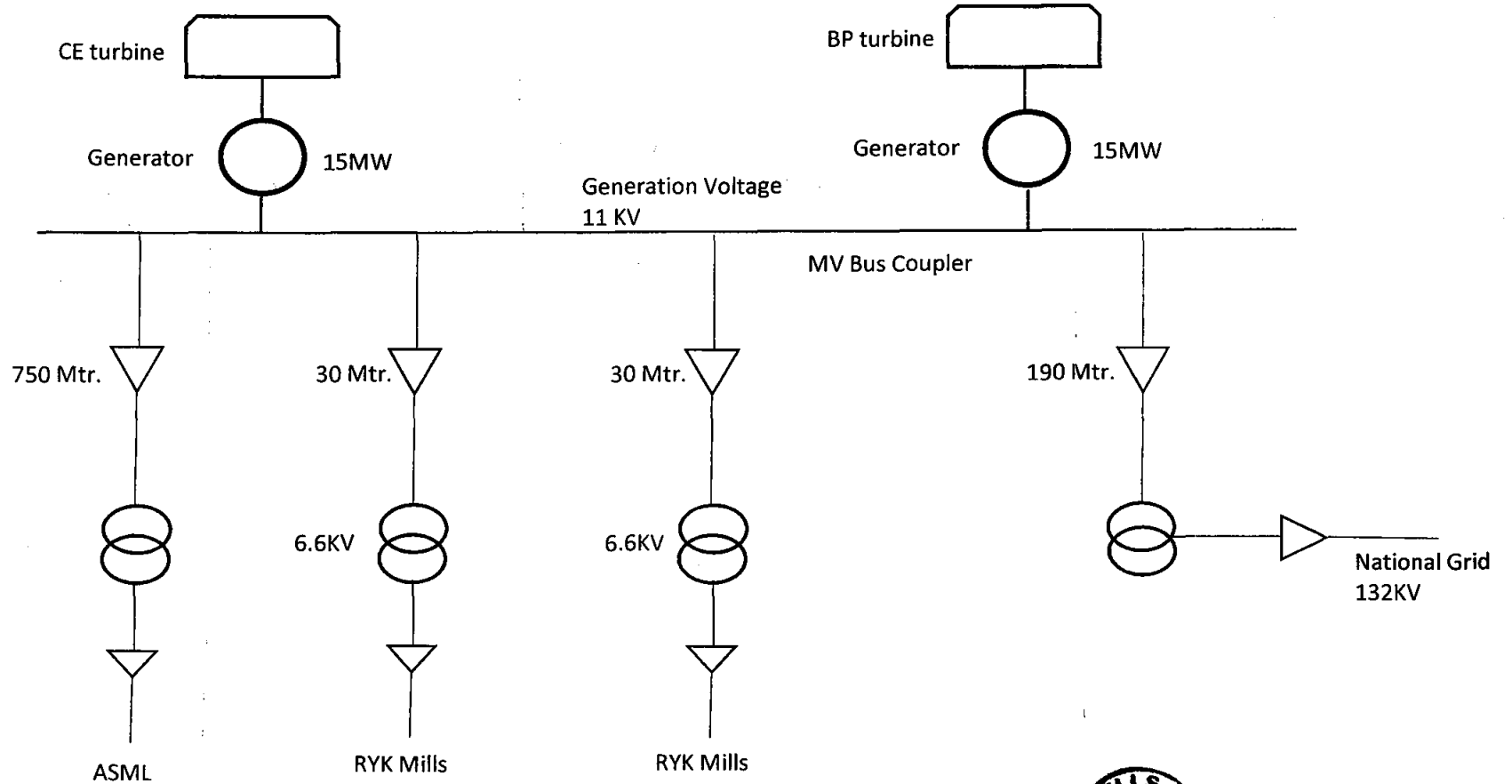
  


**Information Pertaining to the Bulk Power Consumer**  
**[in the name ASML of the Licensee (i.e. RYKML)]**

(i)	No. of Consumers	One (01)	
(ii)	Location of consumers (distance and/or identity of premises)	Rukanabad, Tehsil Liaqatpur, District Rahim Yar Khan, Punjab, Pakistan	
(iii)	Contracted Capacity and Load Factor for consumer	13 MW	
(iv)	Specify Whether		
	(i)	The consumer is an Associate undertaking of the RYKML - If yes, specify percentage ownership of equity;	Wholly owned Subsidiary
	(ii)	There are common directorships:	Yes
	(iii)	Either can exercise influence or control over the other.	No
(v)	Specify nature of contractual Relationship		
	(i)	Between each consumer and RYKML.	Agreement for supply of power to be executed. Supply of Electricity on Continuous basis.
	(ii)	Consumer and MEPCO.	No
(vi)	Any other network information deemed relevant for disclosure to or consideration by NEPRA.	N/A	




# RYK Mills Power Plant Single Line Diagram



*M. Khan*  
**RYK MILLS LIMITED**  
LAHORE